

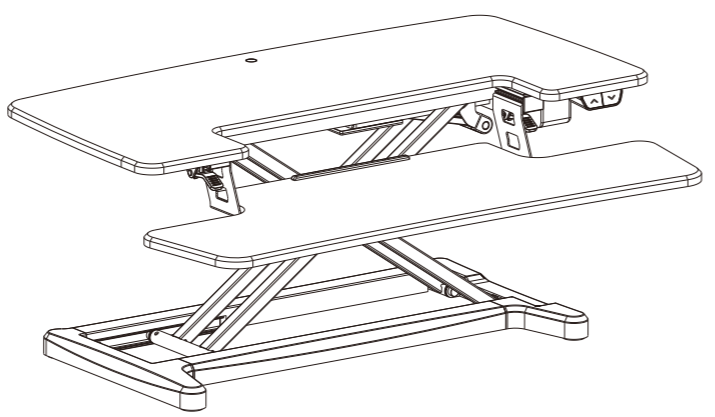
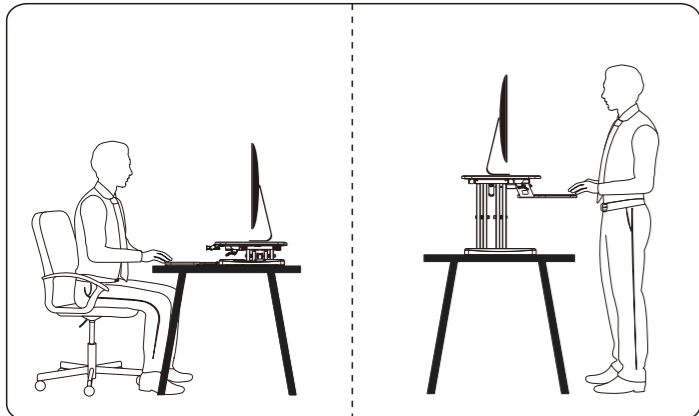
УОӘҮҮ ӨӨІ ӨТ

Have any queries?
Our expert engineers are here to help!

Progressivedesk.com

1-800-828-9414

sales@progressivedesk.com



STEP 1

Only use the sit stand desk on top of flat and stable surface, strong enough to support the product and any equipment placed on top of it.

Remove desk converter from packaging and place it on the table.

Attention Please place the product properly according to it's size.

Table cover size:

Max: 55lbs
Max: 6lbs

34.6" 16.3" 12.1" 4.9" - 19.9" 34.6" 14.75" 27.5"

37.4" 24.2"

WARNING Please do not exceed the maximum load capacity.

	Input Voltage	100-240VAC
Maximum Load Capacity	55lbs	Max Speed 0.86"/sec
Height Range	4.9"-19.9"	Operational Temperature 32°F-104°F
Duty Cycle	10%(Continuous operation for 2 min, rest for 18 min.)	

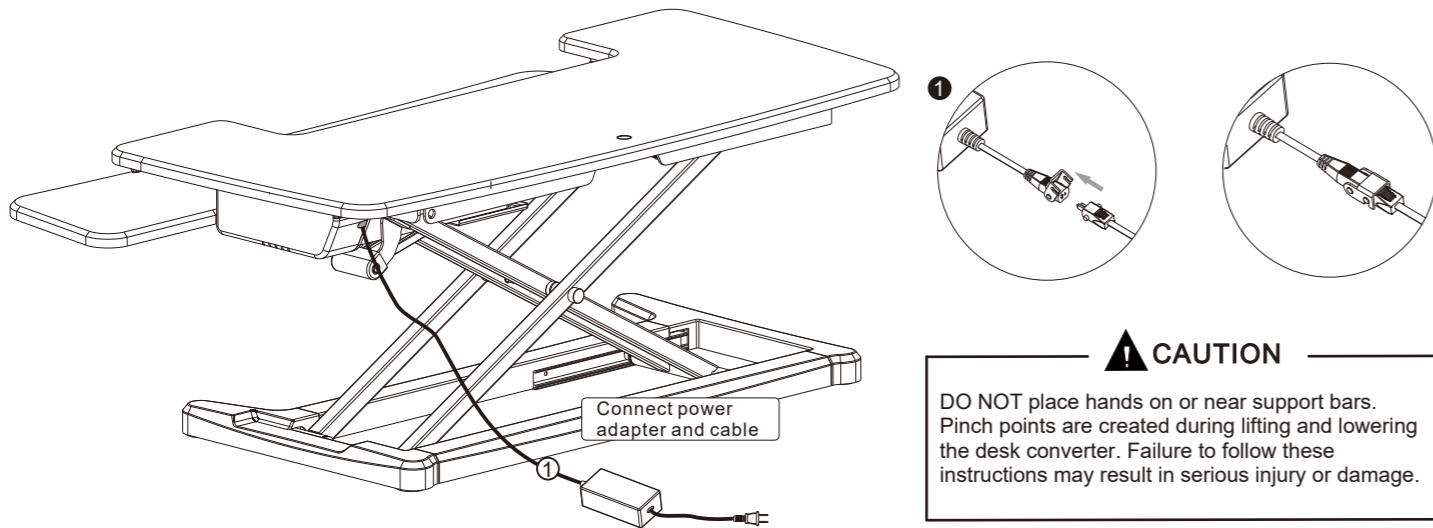
STEP 2

No.	Desk Converter Frame	No.	Keyboard Tray	No.	Adhesive Buckle
A	x1	B	x1	C	x4
No.	Cable Management	No.	Power Adapter	No.	Power Cable
D	x1	E	x1	F	x1

Hang the keyboard tray arms (a) on the desk converter mounts (b) indicated below and then tighten both levers (c).

Attention When removing the keyboard tray, release the levers completely before removing the keyboard tray.

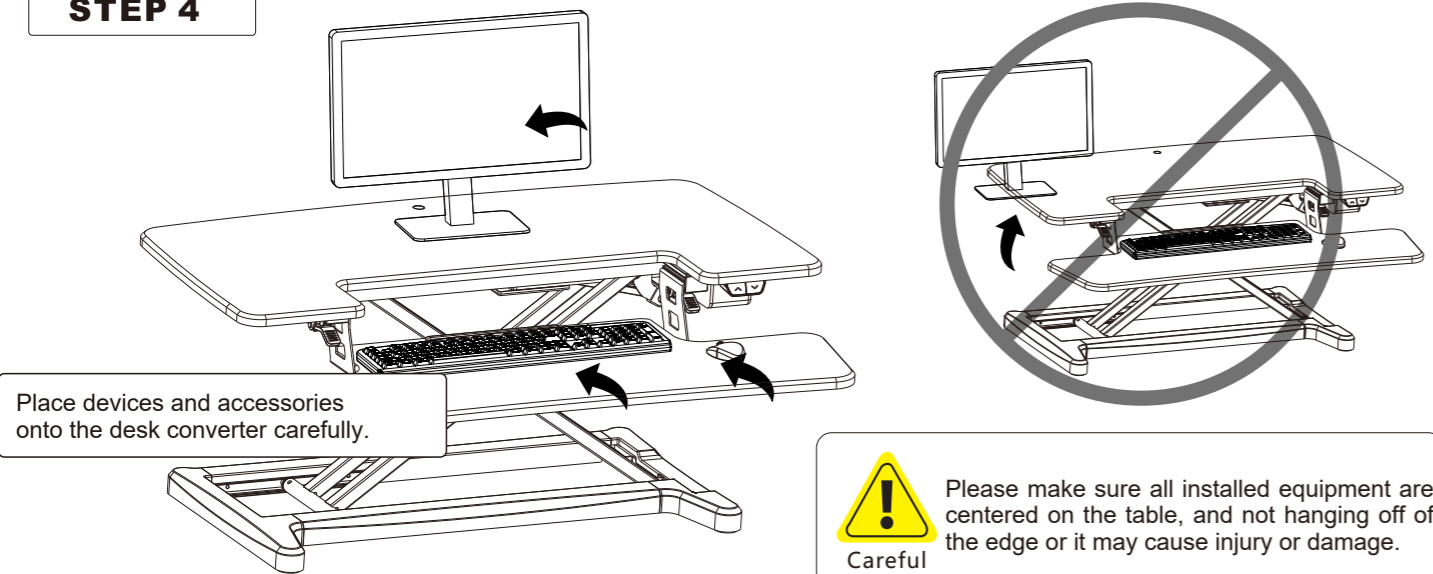
STEP 3



CAUTION

DO NOT place hands on or near support bars. Pinch points are created during lifting and lowering the desk converter. Failure to follow these instructions may result in serious injury or damage.

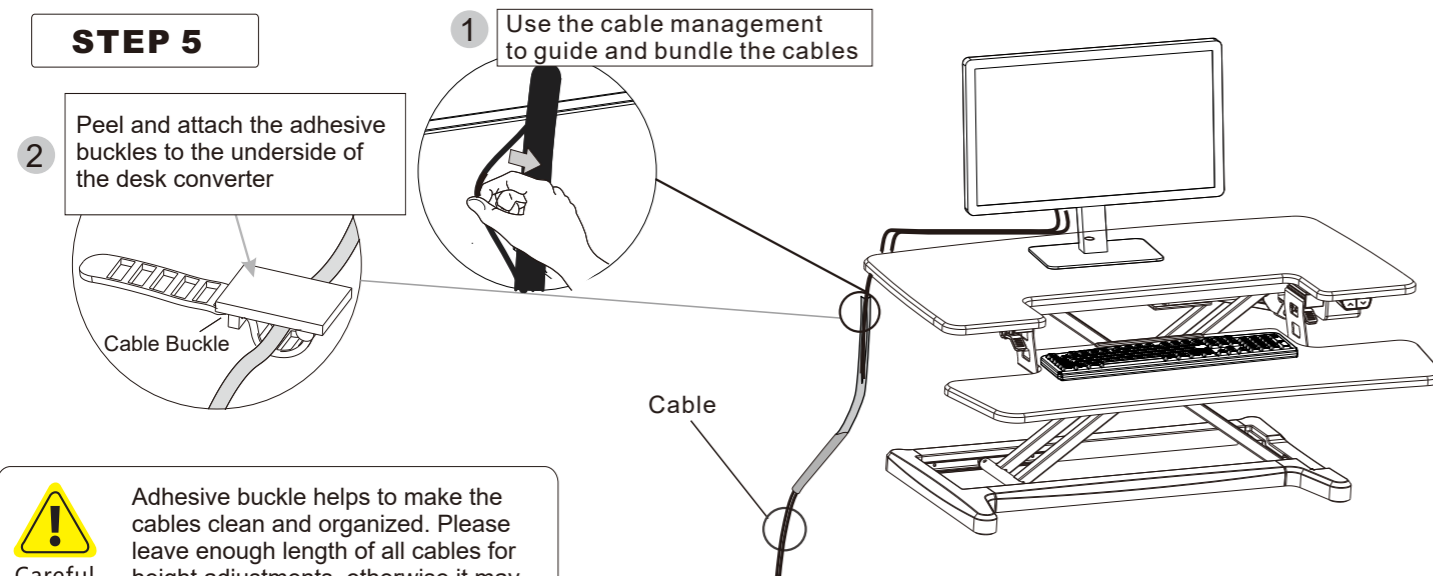
STEP 4



Please make sure all installed equipment are centered on the table, and not hanging off of the edge or it may cause injury or damage.

Careful

STEP 5



Careful

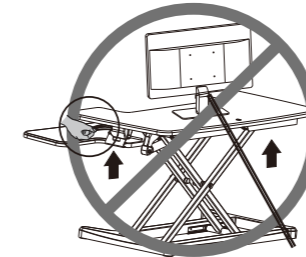
Adhesive buckle helps to make the cables clean and organized. Please leave enough length of all cables for height adjustments, otherwise it may cause unexpected damage or injury.

WARNING



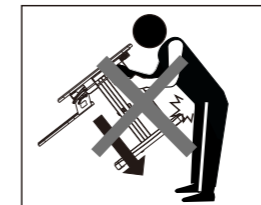
Warning

Please do not put hands near the supporting bars, as they change during adjustments and may cause injury.



Attention

Please leave enough length of cable for height adjustment.



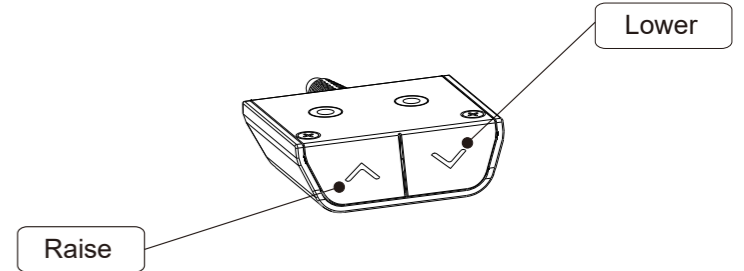
Attention

Please transport by using two people to prevent injury or damage.

How to use handswitch

●	“▲”	Adjust the desk upwards
●	“▼”	Adjust the desk downwards

Buttons



Troubleshooting

The following troubleshooting guide will help you detect and eliminate any common issues or errors. If you face a problem not listed below, please contact your supplier.

Problem	Solution
No response while pressing UP/DOWN buttons after connecting power.	1.Ensure all the cables are secure 2. Contact your supplier or dealer
Drifting (movement while unpowered)	1.Check if overloaded, max load:55 lbs 2.Contact your supplier or dealer
Overwork (Duty cycle: Max 2min on / 18min off)	1.Resume use after resting for 30 minutes 2.Contact your supplier or dealer



Attention

1. Power supply: AC 100V-240V,50/60HZ
2. Operational Temperature: 0°C - 40°C
3. Unplug the power plug before cleaning, wipe the dust on surface with a damp cloth when cleaning, be careful not to let moisture into the internal parts or connectors.
4. The control box contains electronic components, metals, plastics, wires etc. Please dispose of it in accordance with each country's environmental legislation.
5. Check carefully to ensure correct and complete assembly before using.
6. Please read all instructions before first use.
7. Keep children and pets away from desk converter due to moving components.
8. Slight noise caused by the belt or brake system. This will not have any effect on the use or performance of the desk converter.
9. Do not use corrosive chemicals when cleaning the desk converter.
10. If the supply cord is damaged, please reach out to the manufacturer to get a replacement.
11. Keep the original packaging in case to protect the desk converter when transporting.